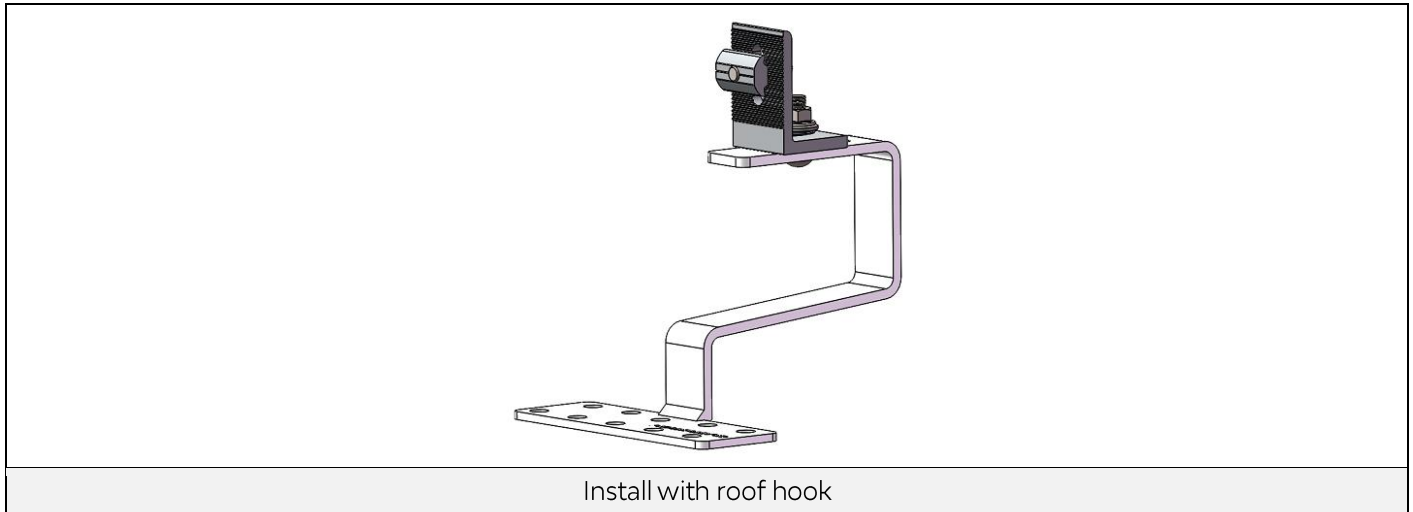
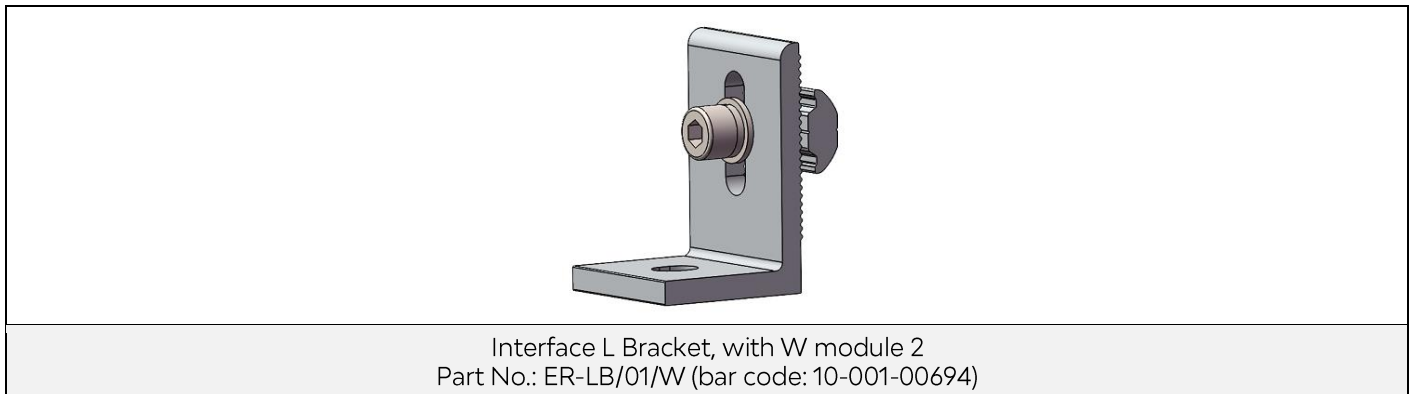


Interface L Bracket, with W module 2

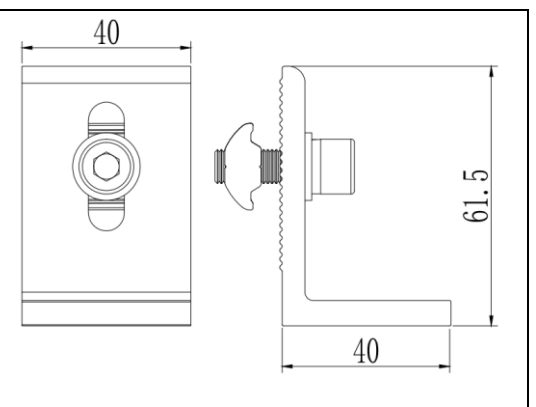
Assembly



Component



Technical Specification

Application	Compatible with Clenergy roof hook	
Dimensions	L40*W40*H61.5mm	
Weight	0.081 Kg	
Packaging	60 units per pack; 4 packs (240 units) per carton	
Material	Main parts: AL6005-T5 Fasteners: SUS 304	
Color	Silver (Anodised, no less than 10 µm, excluding machined surfaces)	
Standard	GB50797 AS NZS1170.2 EN1991 JISC8955 ASCE 7-10	