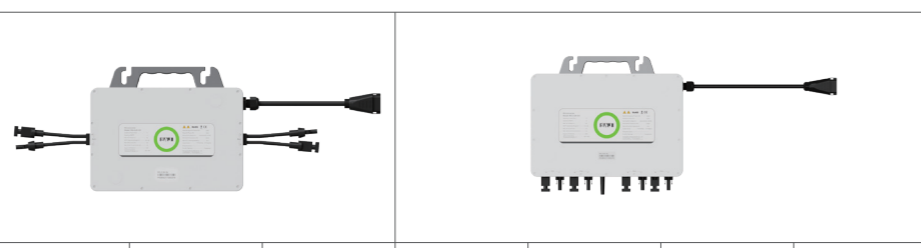


M2 Series Micro Solar Inverter



Model	M2-0.8K-S2	M2-1.0K-S2	M2-1.2K-S2	M2-1.8K-S4	M2-2K-S4	M2-2.2K-S4	M2-2.25K-S4
Input Data (DC)							
Recommended PV Module Power (STC) Range [Wp]	400 ~ 625+						
Peak Power Tracking Voltage [V]	28 ~ 45						
Operating Voltage Range [V]	16 ~ 60						
Maximum Input Voltage [V]	60						
Maximum Input Current [A]	16 x 2			20 x 4			
Output Data (AC)							
Maximum Output Power [VA]	800	1000	1200	1800	2000	2200	2250
Nominal Output Current [A]	3.5	4.4	5.2	7.82	8.7	9.56	9.78
Rated AC Voltage/Range [V]	L+N+PE, 220,230,240/180 ~ 280						
Rated Output Frequency/Range [Hz]	50,60/45 ~ 55,55 ~ 65						
Power Factor [cos φ]	> 0.99 default, 0.8 leading ~ 0.8 lagging						
Total Harmonic Distortion [THDi]	<3%						
Maximum Units per 10AWG Branch	9	7	5	4	3	3	3
Efficiency							
Peak Efficiency	97.00%						
CEC Efficiency	96.50%						
Mechanical Data							
Operating Temperature Range	-40°C to +65°C (45°C to 65°C with derating)						
Communication	Wi-Fi/Sub-1G						
Cooling Method	Natural Convection						
Ambient Humidity	0~100% Non-condensing						
Altitude	4000m (>3000m Power Derating)						
Ingress Protection	IP67						
Dimensions [W * H * D][mm]	279*189*36.5			333*225*40			
Weight [kg]	3.8			5.8			
Warranty [Year]	12						
Applicable Standard	EN62109-1/2, EN61000-6-1/2/3/4, EN50438, EN50549, C10/11, IEC62116, IEC61727, RD1699, CEI 0-16, CEI O-021, AS4777.2, NBR16149, NBR 16150, VDE-AR-N 4015, VDE 0126-1-1, RoSH						



The M2 is a crucial component of SAJ residential energy storage solution. It can be installed in a wide range of environments, including rooftops and balconies, offering homeowners the flexibility to harness solar energy in various residential settings.

The M2 microinverter outperforms the string inverter with power optimization and improved energy conversion efficiency. Combined with SAJ energy storage systems, it further reduces household electricity costs, aiding users in achieving energy independence.

Guangzhou Sanjing Electric Co.,Ltd.

Add: SAJ Innovation Park, No.9, Lizhishan Road, Science City, Guangzhou High-tech Zone, Guangdong, China.
 E-mail: info@saj-electric.com
 Tel.: +86 400-960-0112
 Fax: +86 020-66608589
 Web: www.saj-electric.com



Products are continuously updated and parameters are just for reference.



Versatile Applications



Optimal Returns



Hassle-free Installation



Enhanced Intelligence

BALCONY » **« ROOFTOP**

Versatility and Compatibility

- ✓ Various installation scenarios, such as balcony, rooftop, etc.
- ✓ Compatibility with most PV modules in the market

High Efficiency Energy Conversion

- ✓ Up to 97% efficiency, maximizing energy conversion
- ✓ Individual module monitoring for optimized performance

PEAK EFFICIENCY 97.0%

100% 100% 100% 80%

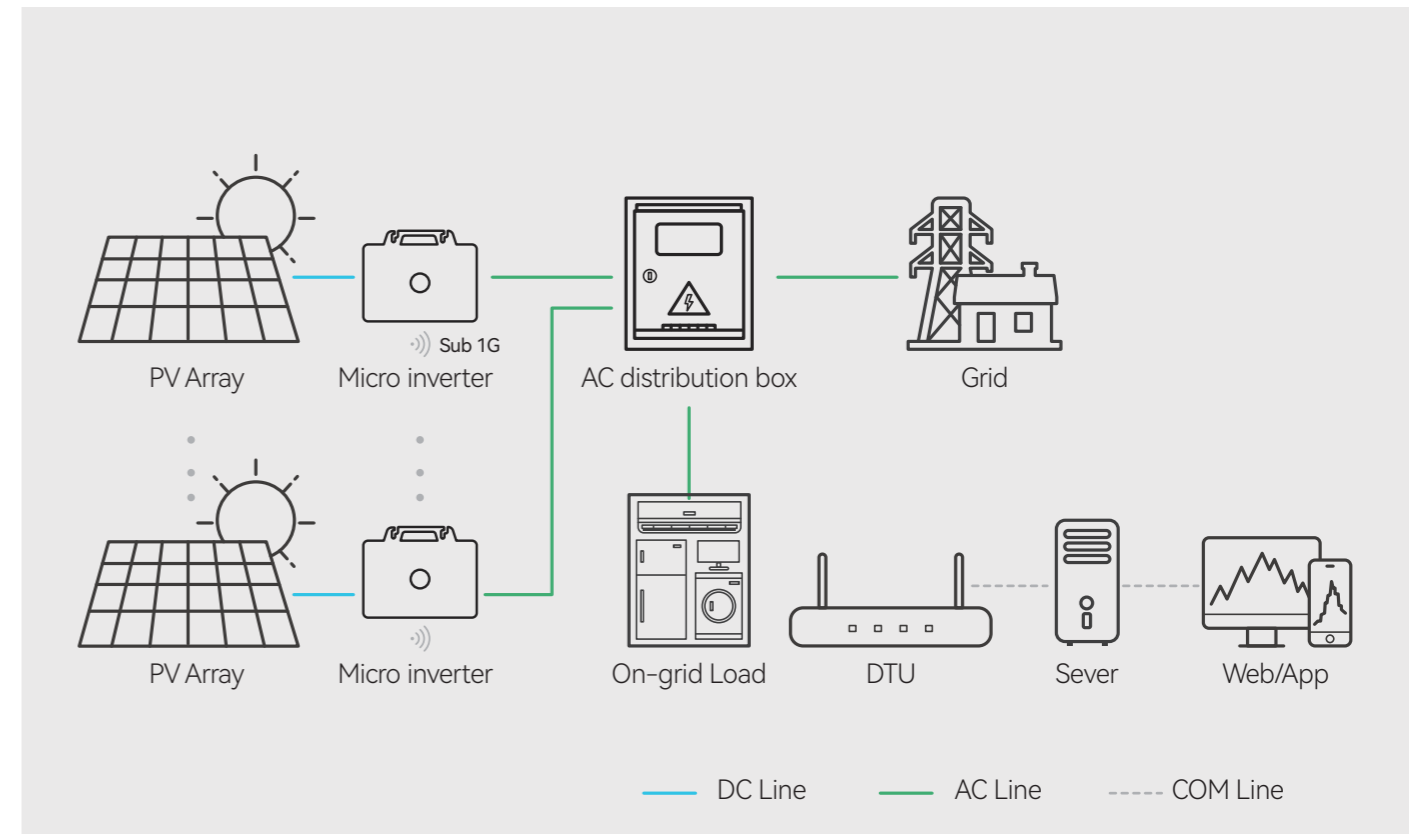
Hassle-free Installation

- ✓ Plug-and-play technology
- ✓ Easy installation for time and cost savings

eSAJ All-In-One Smart EMS

- ✓ Data visualization for easy-to-read view
- ✓ Intelligent and efficient energy monitoring

Multi-Unit Connection



Single-Unit Connection

