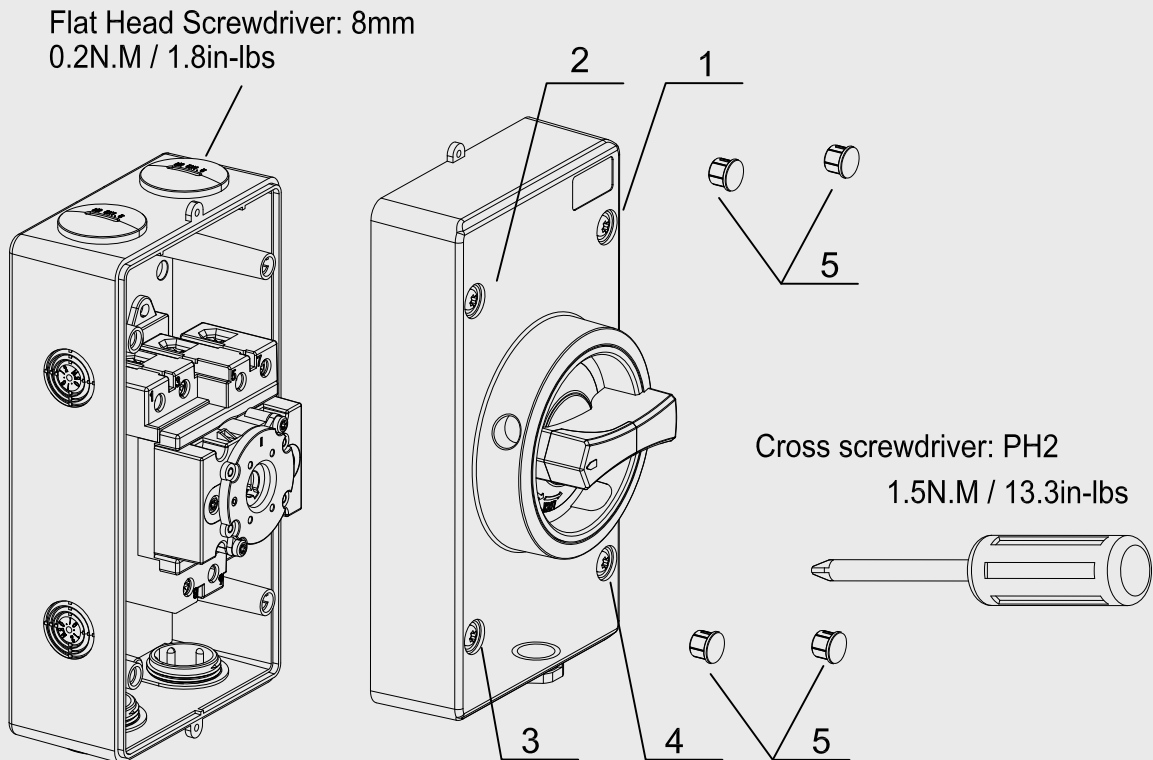
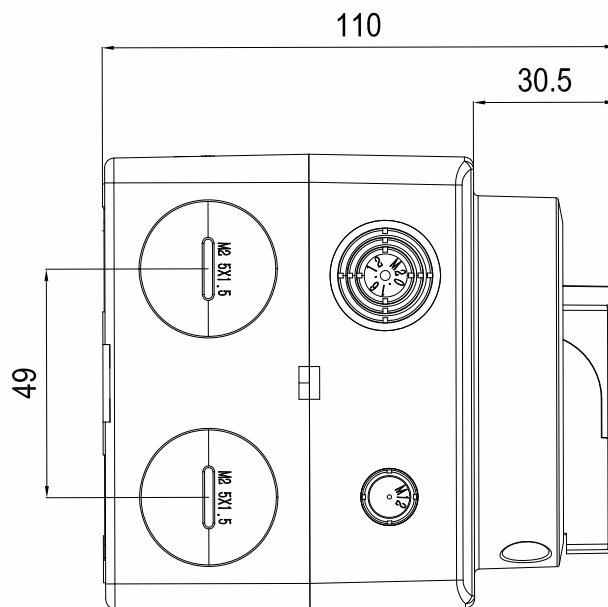
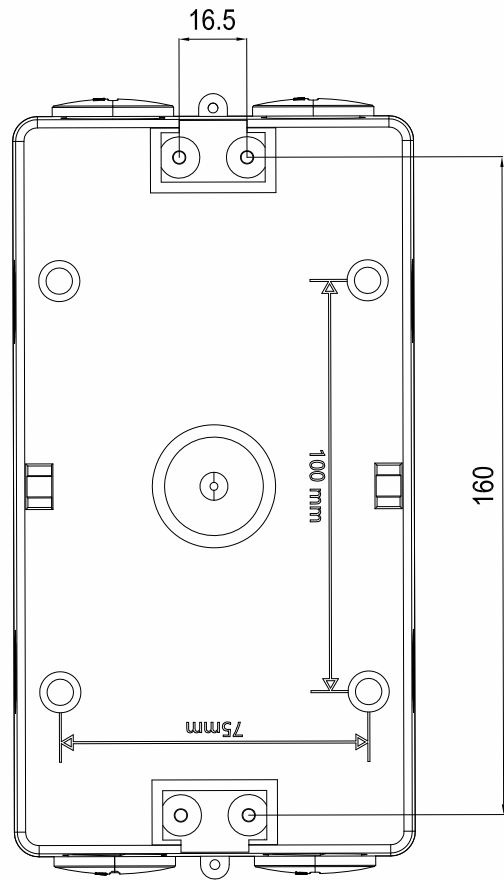
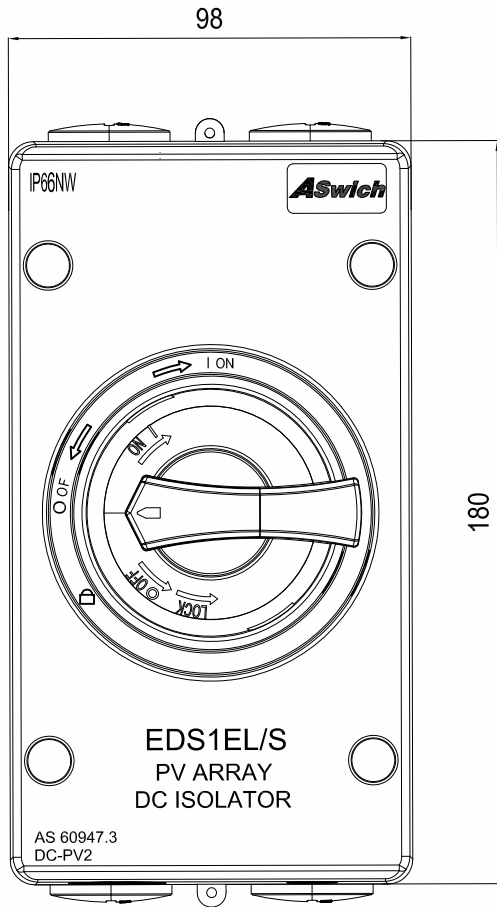


ASwich EDSIEL/N(S) Instructions


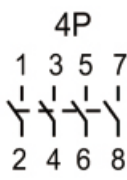


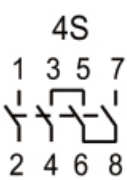


- Be sure number(1,3,5,7) on switch and "IP66 NW" on cover are not inverted.
- Rotate Handel to the "OFF" position and locate shaft into switch body.
- Tighten screw 1,3,2,4::IN THAT ORDER::
- Make sure that number(5) is assembled on cover.

ASwich EDSIEL/N(S) Instructions

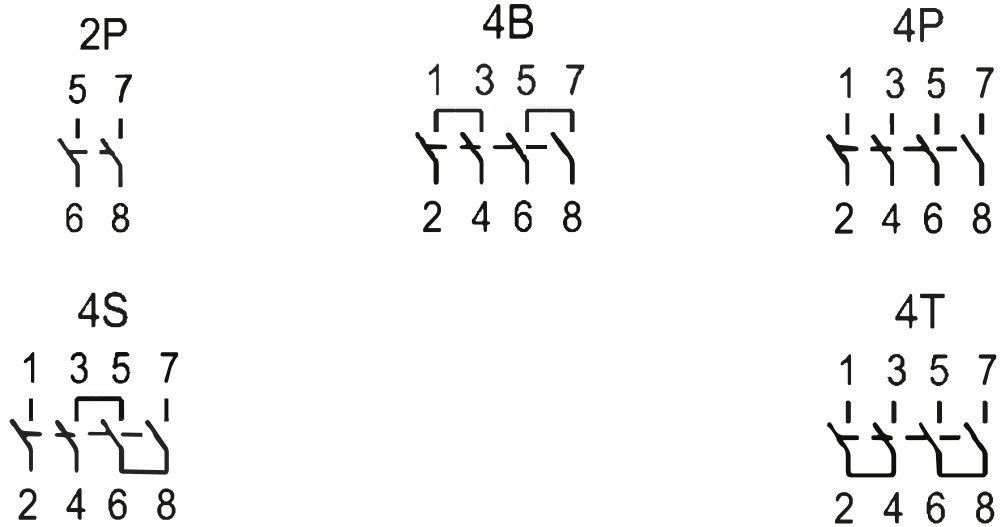


Identification	Rating data
Switch, unenclosed — catalogue number (with DC-PV2 rating)	EDSIEL/S32/2R(4R)(4TR)(4BR)(4SR)
Specific dedicated individual enclosure —catalogue number(with minimum IP56NW rating)	EDSIEL/S32/2R(4R)(4TR)(4BR)(4SR) IP66NW
Assembly of switch and specific dedicated individual enclosure— catalogue number	/
I _{th} rated thermal current, unenclosed, at 40 °C shade ambient air temperature	32 amps
I _{the} rated thermal current, indoors, at 40 °C shade ambient air temperature, in a specific dedicated enclosure	32 amps
I _{the} rated thermal current outdoors at 40 °C shade ambient air temperature without solar effects in a specific dedicated enclosure rated IP66NW	32 amps
I _{the} solar current value outdoors at 60 °C shade ambient air temperature, with solar effects in a specific dedicated enclosure rated IP66NW	29 amps
Rated Insulation voltage U _i	1500V
Rated short-time withstand current I _{cw}	I _{cw} : 1kA, 1 s
Rated short-time making capacity I _{cm}	N/A
Rated conditional short-circuit current I _{cn}	N/A
Rated Impulse withstand voltage U _{imp}	8,0 kV
UV Resistance	Yes
Mounting Type	Vertically or Horizontally
Pollution degree	3
Polarity	No polarity, "+" and "-" polarities could be interchanged.

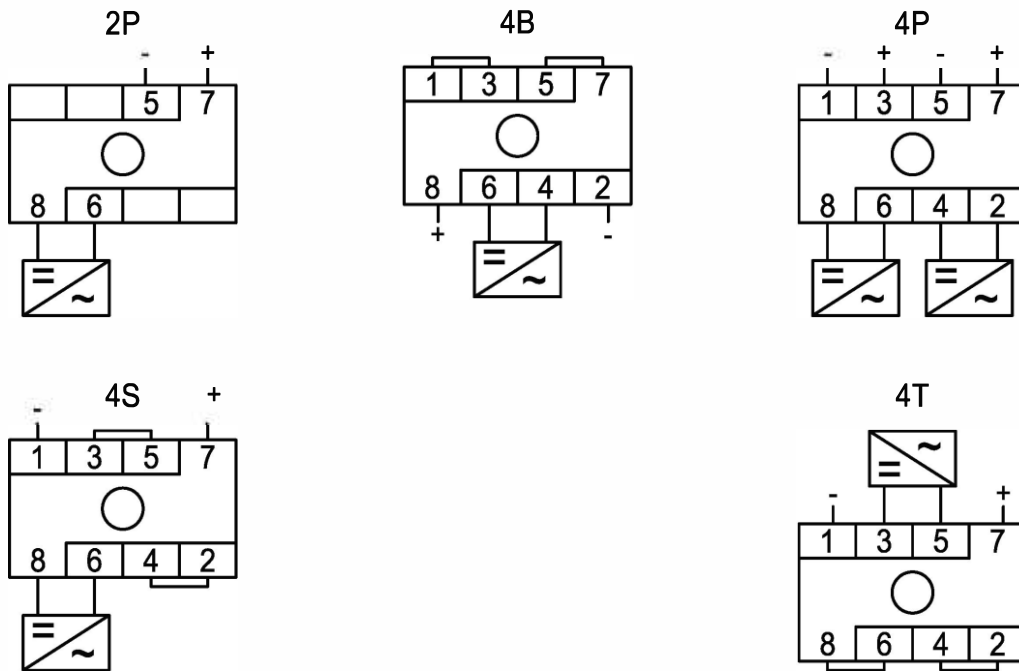
	U _e rated operational voltage DC volts	I _e ; DC-PV2 rated operational current Amps	I _(make) and I _(break) DC-PV2 4 x I _e Amps
2pole 	300V	32	128
	600V	32	128
	800V	16	64
	1000V	9	36
	1200V	/	/
4pole 	300V	32	128
	600V	32	128
	800V	16	64
	1000V	9	36
	1200V	/	/
4T 	300V	32	128
	600V	32	128
	800V	32	128
	1000V	32	128
	1200V	/	/
4B 	300V	32	128
	600V	32	128
	800V	32	128
	1000V	32	128
	1200V	/	/
4S 	300V	32	128
	600V	32	128
	800V	32	128
	1000V	32	128
	1200V	/	/

Identification		Rating data		
Switch, unenclosed — catalogue number (with DC-PV2 rating)		EDSIEL/N32/2R(4R)(4TR)(4BR)(4SR)		
Specific dedicated individual enclosure —catalogue number(with minimum IP56NW rating)		EDSIEL/N32/2R(4R)(4TR)(4BR)(4SR)	IP66NW	
Assembly of switch and specific dedicated individual enclosure— catalogue number		/		
Ith rated thermal current, unenclosed, at 40 °C shade ambient air temperature		32 amps		
Ithe rated thermal current, indoors, at 40 °C shade ambient air temperature, in a specific dedicated enclosure		32 amps		
Ithe rated thermal current outdoors at 40 °C shade ambient air temperature without solar effects in a specific dedicated enclosure rated IP66NW		32 amps		
Ithe solar current value outdoors at 60 °C shade ambient air temperature (see D.8.3.11, table D3), with solar effects in a specific dedicated enclosure rated IP66NW		29 amps		
Rated Insulation voltage Ui		1500V		
Rated short-time withstand current Icw		Icw: 1kA, 1 s		
Rated short-time making capacity Icm		N/A		
Rated conditional short-circuit current Icn		N/A		
Rated Impulse withstand voltage Uimp		8,0 kV		
UV Resistance		Yes		
Mounting Type		Vertically or Horizontally		
Pollution degree		3		
Polarity		No polarity, “+” and “-“ polarities could be interchanged.		
		Ue rated operational voltage DC volts	Ie; DC-PV2 rated operational current Amps	I(make) and Ic(break) DC-PV2 4 x Ie Amps
2pole	<p>2P</p> <p>5 7</p> <p>6 8</p>	300V	32	128
		600V	32	128
		800V	16	64
		1000V	9	36
		1200V	9	36
4pole	<p>4P</p> <p>1 3 5 7</p> <p>2 4 6 8</p>	300V	32	128
		600V	32	128
		800V	16	64
		1000V	9	36
		1200V	9	36
4T	<p>4T</p> <p>1 3 5 7</p> <p>2 4 6 8</p>	300V	32	128
		600V	32	128
		800V	32	128
		1000V	32	128
		1200V	32	128
4B	<p>4B</p> <p>1 3 5 7</p> <p>2 4 6 8</p>	300V	32	128
		600V	32	128
		800V	32	128
		1000V	32	128
		1200V	32	128
4S	<p>4S</p> <p>1 3 5 7</p> <p>2 4 6 8</p>	300V	32	128
		600V	32	128
		800V	32	128
		1000V	32	128
		1200V	32	128

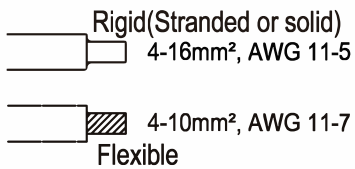
DC Switch Disconnecter for Photovoltaics Wiring diagram



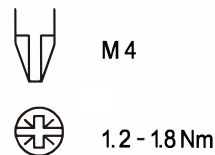
Switching examples



Cable cross sections



Screwdriver, Tightening torque



ASwich